

## OP GUN METAL satin

Mixer Taps

Code: 8499 106



### DETAILS

Mixer type Single-lever mixer tap with rotating, collapsible barrel (Up&Down), with remote control.

Coloring Gun Metal

Material Brass

Texture Satin

Rotating angle 360°

Strengthening plate Ø44 mm

Cartridge With ceramic discs

Holes distance See "Cut out drawing"

Double hole requested Necessary

Mixer hole  $\varnothing$ 35 mm

---

Max worktop thickness 40mm

---

## FEATURES

**COLLAPSIBILE BARREL** Feature that makes it possible to foresee the sink in front of a window, so as to enjoy the natural light.

---

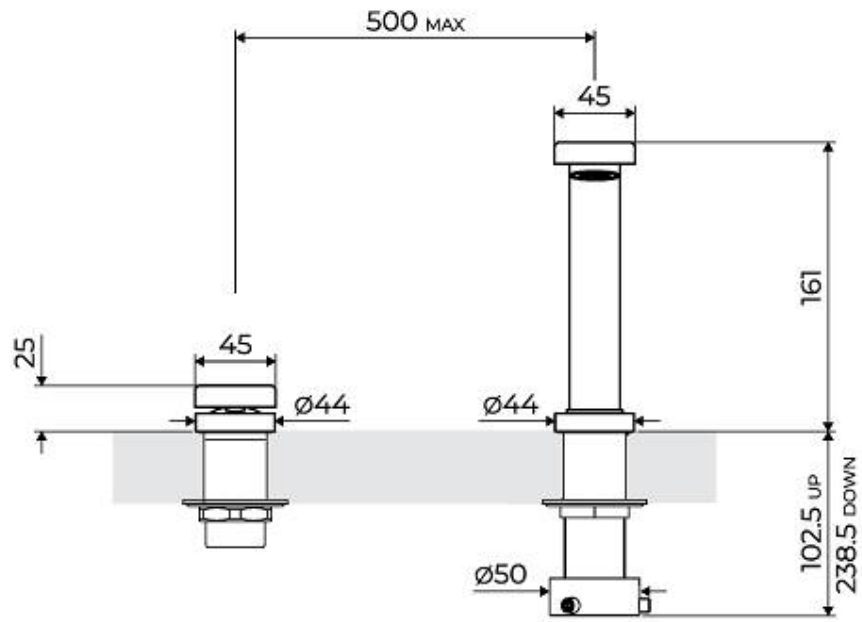
**Rotating angle** All the taps have a wide angle of rotation. Some models even permit a full 360° rotation.

---

**Strengthening plate** Foster's mixer taps are equipped with the strengthening plate that offers perfect stability on any sink.

---

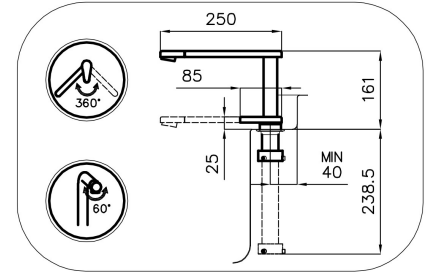
## TECHNICAL DATA



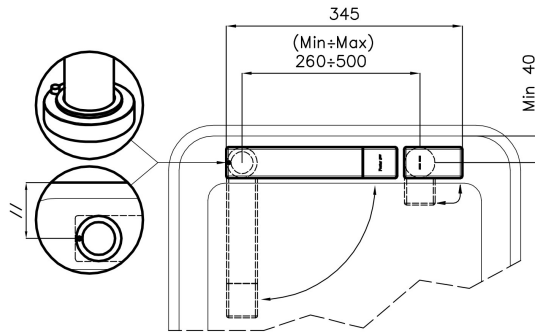
**Foster**   
 via M.S. Ottone, n. 18/20  
 42041 Brescello (RE) - ITALIA  
 tel. +39 0522687425  
 www.fosterspa.com - info@fosterspa.com

## Eclipse - 8499 000

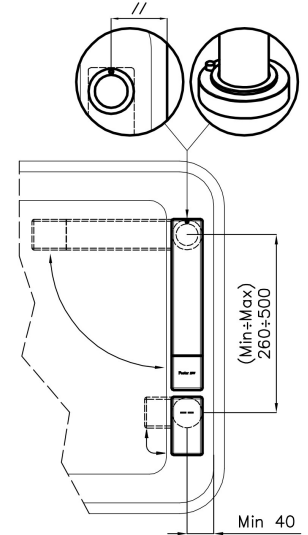
### Installation sheet - Foglio installazione



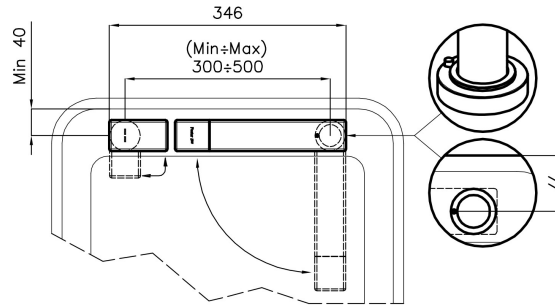
Front side—Mixer tap on the left  
 Lato frontale—Miscelatore a sinistra



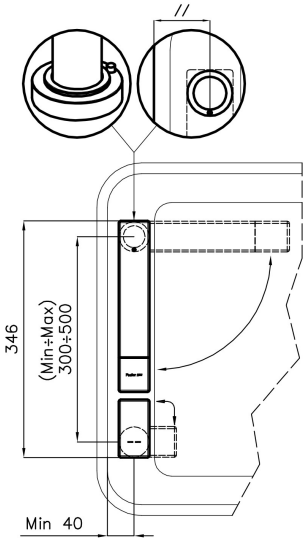
Right side  
 Lato destro



Front side—Mixer tap on the right  
 Lato frontale—Miscelatore a destra



Left side  
 Lato sinistro



## GALLERY

